

# CHRY02/PC-POD2 iPod Adapter

## Application/Installation and Instruction Manual

### INTRODUCTION

Precision Interface Electronics (PIE) has released a new line of iPod interfaces (POD2) that allow you to interface your iPod directly to the OEM (factory) radio in your Chrysler /Dodge/Jeep Vehicle. Using this interface, the iPod will take the place of Chrysler external CD Changer, noted you will see the difference in operations. The radio will be able to directly access tracks on your iPod and perform basic function from the radio—namely FF, REW, Track UP, Track Down, Pause etc , **in addition to full access to all your playlists and menus via clickable scrollwheel.** (iPod will not be disabled) The CD Changer function of the radio will be utilized to operate the iPod, allowing you to benefit from:

1. Direct connection of the iPod to Chrysler vehicle audio system for optimum sound quality
2. Control iPod playback with the CD Changer buttons on the Ford radio or steering wheel controls
3. Charges the iPod internal battery
4. Plug-n-play: includes installation cable, 4ft docking cable, interface and owner's manual

**Note:** If a Chrysler external (trunk mounted) CD Changer is present, you must disconnect it before installing this interface.

### COMPATIBILITY

Use with one of the following iPod models:

iPod (G3/G4, G5) , iPod Photo, Nano, Video and iPod mini equipped with a dock connector. **[Not compatible with iPod Shuffle and 1st and 2<sup>nd</sup> Generation (10G/15G) iPods.]**

**Note:** The operation and functions of this interface described herein have only been confirmed with the following firmware versions (see apple.com/iPod for firmware updates)

iPod	iPod Nano	iPod Photo	iPod Video	iPod Mini
Firmware v2.3	firmware 1.0	Firmware 1.2	firmware 1.0	firmware v1.4
<b>firmware v3.1 (G4)</b>				

The CHRY02/PC-POD2 will utilize the cd changer control functions on the radio to control the iPod in the following manner:

CD CHANGER CONTROLS	IPOD CONTROLS
Track up	Song up
Track down	Song down
Fast Forward	Fast Forward
Fast Rewind	Fast Rewind

**Note:** The track number on both the radio and iPod may not correspond with one another. The CHRY02/PC-POD2 will charge the iPod and will not disable the function of the iPod while connected. The CHRY02/PC-POD2 will automatically pause the iPod whenever the radio is not in the simulated iPod mode.

### PLAYBACK FUNCTIONS

#### Track Up and Down

The radio has "<SEEK>" buttons which will allow you to track up (SEEK ►) and track down (◄ SEEK) through each track on the current playlist.

## Fast Forward and Fast Rewind

The "<SEEK>" buttons, when pressed and held, will fast forward and fast rewind through the track currently playing.

## VEHICLE COMPATIBILITY

The CHRY02/PC-POD2 is compatible with the following vehicles if they are equipped with a 10 pin connector at the radio and a mode button. It is important to verify that the radio in your car has the connectors otherwise this part will fit even if the vehicle M/Y is listed.

CHRYSLER	DODGE	JEEP
2002-05 300M	2002-04 Caravan	2002-04 Grand Cherokee
2002-05 Concorde	2002-04 Dakota	2002-05 Liberty
2002-04 LHS	2002-03 Durango	2002-04 Wrangler
2003-05 Pacifica	2002-05 Intrepid	
2002-05 PT Cruiser	2002-05 Neon	
2002-05 Sebring	2002-05 Ram 1500	
2002-05 Town & Country	2002-05 Stratus	
2002-04 Voyager		

### Notes:

Not compatible with 2005-Up Chrysler rectangular radios with two large dial.

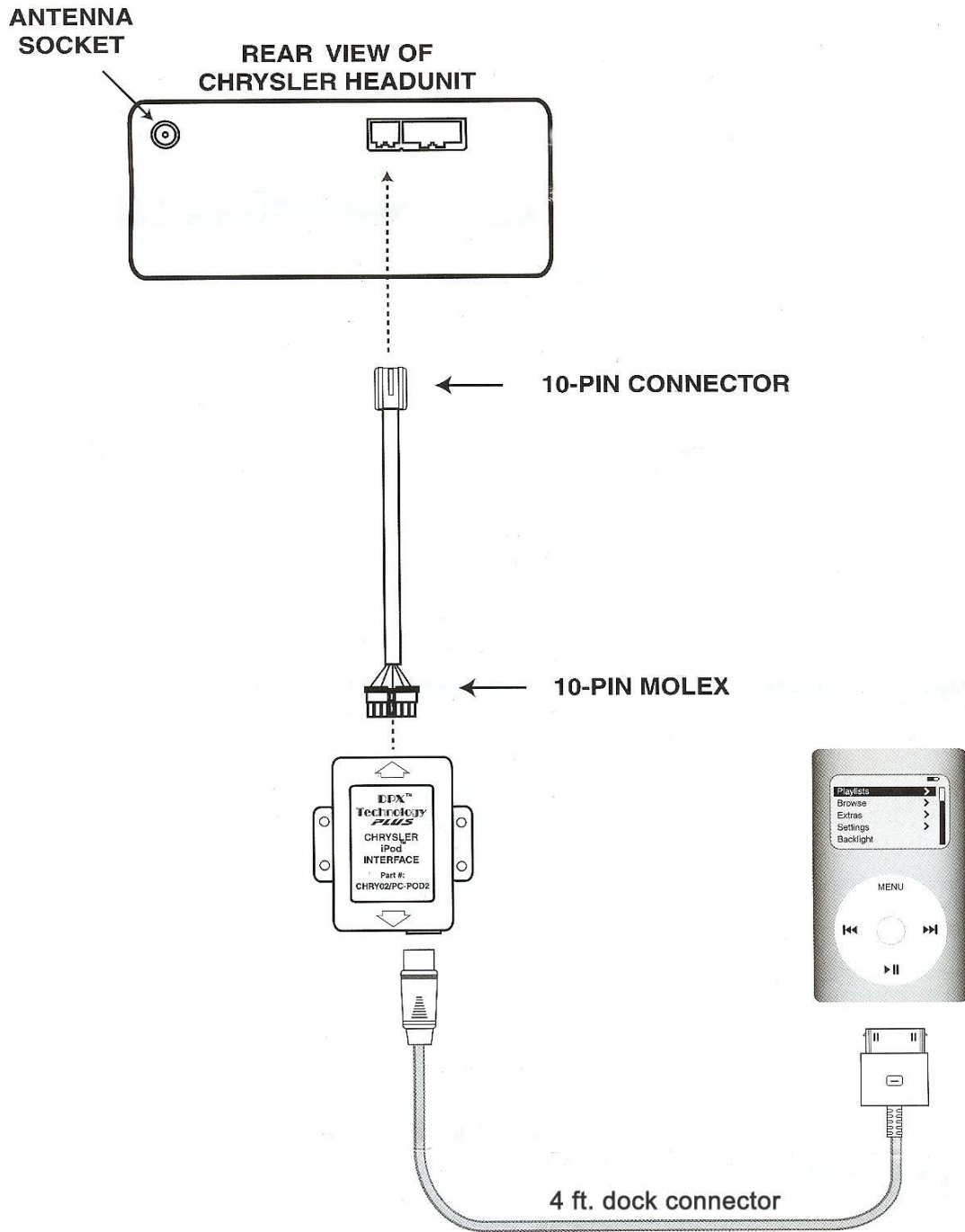
## INSALLATION

1. Disconnect the negative battery terminal
2. Remove the factory radio
3. Connect the 10 pin connectors of the CHRY02/PC-POD2 harness to the back of the radio
4. Route the iPod dock cable from the CHRY02/PC-POD2 to the desired location
5. Reinstall the radio
6. Reconnect negative battery terminal

## VERIFY OPETATION

1. Connect iPod to dock connector
2. Turn radio on and press the CD changer button
3. Perform basic control test (Song up/down, FF/FW, etc) from the radio
4. perform control test on iPod (Playlist select, random, artist search, album search etc)
5. Verify that the iPod is charging while the radio is turned on
6. Change modes (AM, FM, CD, etc). Verify that the iPod pauses while in other modes
7. Turn radio off and verify that iPod shuts off also

# INSTALLTION DIAGRAM



Revised 2/19/06

© 1995-06 Discount Car Stereo, Inc. All rights reserved. Information in this document is subject to change without notice. Other products and companies referred to herein are trademarks or registered trademarks of their respective companies or mark holders.

iPod™ is a trademark of Apple Computers Inc. registered in the USA and other countries.