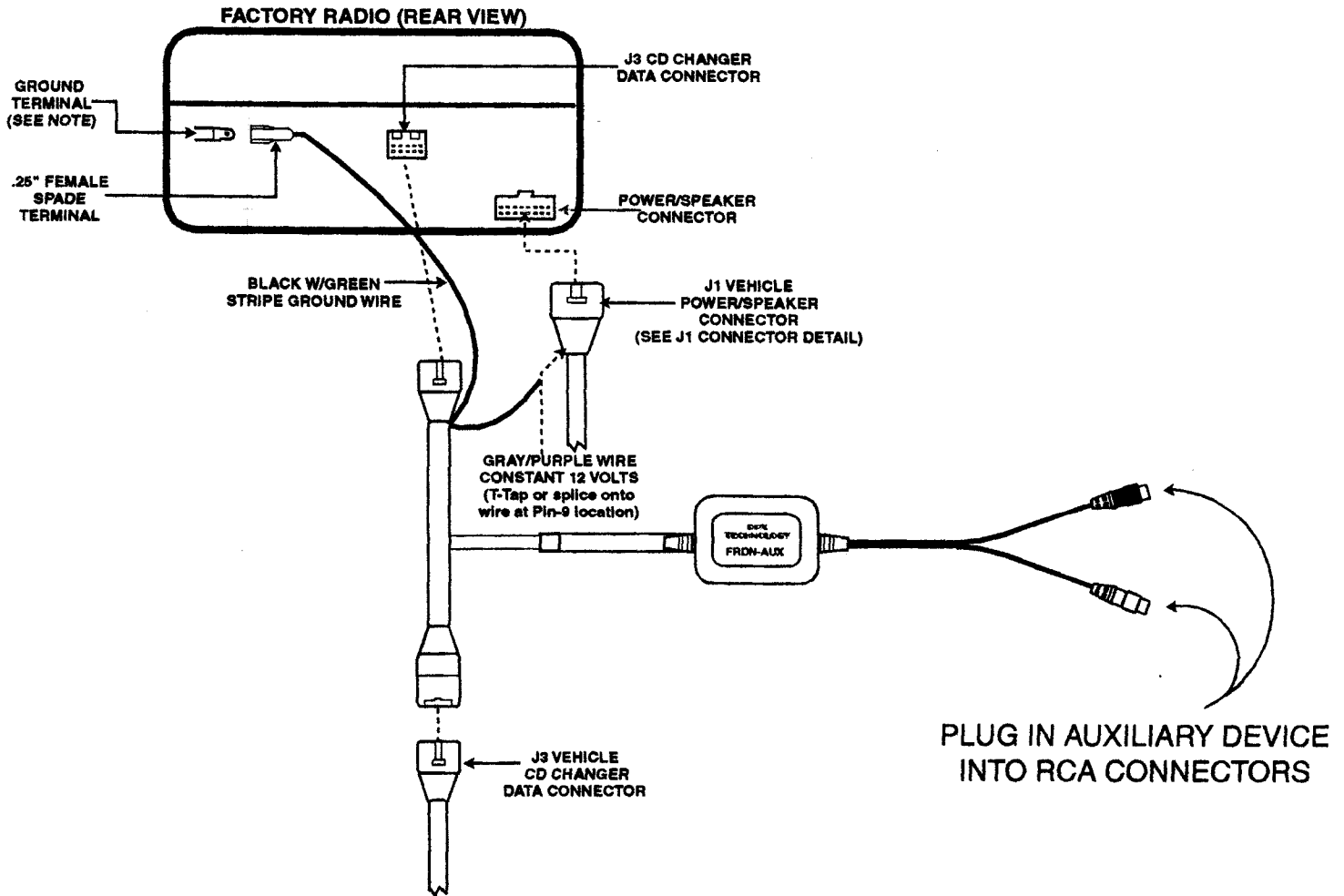


INSTALLATION DIAGRAM FOR FRDN-AUX AUXILIARY INPUT ADAPTER



NOTE: For vehicles without ground terminal, splice Black w/Green stripe wire into Pin #11 of the vehicle side J1 connector.