

MIT-3.5M

The MIT-3.5M allows an auxiliary audio source to play through the factory Mitsubishi radio.

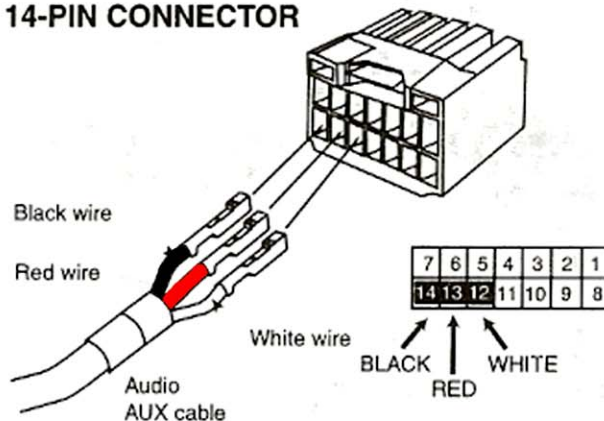
Radio must be AUX capable.

(Press and hold of CD button will enter "AUX" mode)

VEHICLE APPLICATIONS

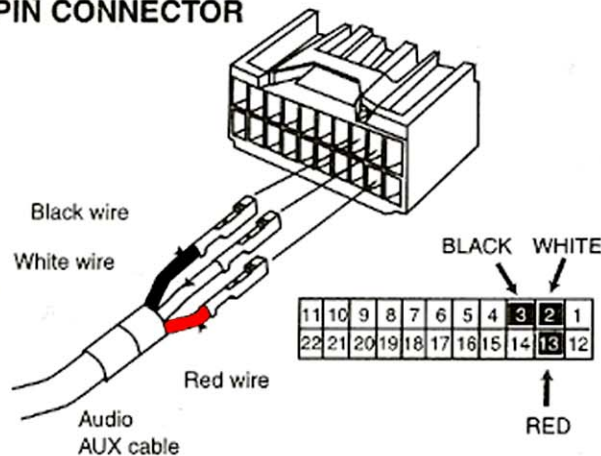
Grandis 2003-2007
Lancer 2003-2007
Lancer
Evolution 2003-2007

14-PIN CONNECTOR



Eclipse 2003-2007
Endeavor 2003-2005
Galant 2003-2007
Outlander 2003-2007
Spyder 2003-2007
Triton 2003-2007

22-PIN CONNECTOR



Installation Instructions:

1. Disconnect the negative battery terminal.
2. Remove the Mitsubishi radio to gain access to the connectors on the back of the radio.
3. Remove the 14 or 22-pin connector from radio.
4. Connect the 3-Terminal connection to the 14 or 22-pin connector.
 (see diagram above)
 For 14-pin connector: Connect BLACK WIRE to pin 14 slot, connect RED WIRE to pin 13 slot, and connect WHITE WIRE to pin 12 slot.
 For 22-pin connector: Connect BLACK WIRE to pin 3 slot, connect RED WIRE to pin 13 slot, and connect WHITE WIRE to pin 2 slot.
- NOTE: If there is a wire occupying the pin slot, remove the wire.
5. Connect 3.5mm audio plug of the MIT-3.5M to auxiliary device.
6. Re-install factory radio.
7. Reconnect negative battery terminal.