

DASH DISASSEMBLY INSTRUCTIONS

2003-04 HONDA ACCORD

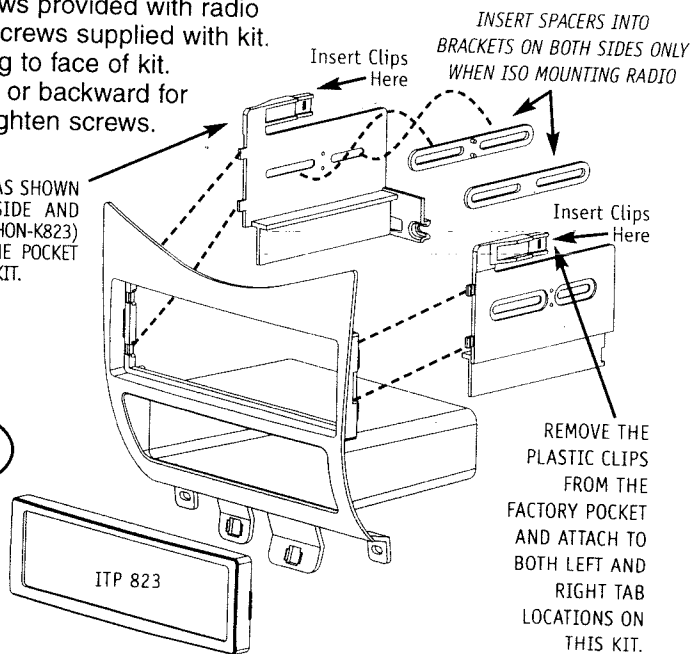
- 1) Carefully unclip and remove the trim bezel from around the shifter.
- 2) Unsnap ashtray/ coin tray and remove the (2) Phillips screws from this location and remove ashtray/coin tray assembly.
- 3) Remove the (2) Phillips screws located at the base of the pocket, unsnap the pocket and remove.
- 4) Remove the (2) Phillips screws from under the factory radio/climate control unit.
- 5) Carefully unclip the panel with the vents above the radio and remove the (3) Phillips screws securing the upper section of the factory radio/climate controls to the sub-dash.
- 6) Carefully pull forward the radio/climate control assembly, disconnect the factory radio harness and antenna lead.
- 7) Wire your new radio to the harness supplied following the wiring instructions of your new radio. Note: Each wire on our harness is labeled for its purpose.
- 8) Plug the new wire harness into the rear of the factory radio and reinstall the factory radio/climate control unit in the dash.
- 9) Connect the original factory wire harness to the opposite end of the new harness that you plugged into the back of the factory radio.

ISO MOUNT INSTRUCTIONS

- 1) Attach ISO mount brackets to rear of kit as shown in Figure A.
- 2) Insert ISO mountable radio between ISO mount brackets and loosely attach to sides of radio using screws provided with kit when possible or screws supplied with kit.
- 3) Attach ISO trim ring to face of kit.
- 4) Slide radio forward or backward for desired look and tighten screws.

INSERT MOUNTING BRACKETS AS SHOWN AND ATTACH TO THE LEFT SIDE AND RIGHT SIDE OF MAIN BRACKET (#HON-K823) & ATTACH TO THE REAR OF THE POCKET USING SCREWS SUPPLIED WITH KIT.

Optional: ISO trim ring may be used in place of after-market radio's trim ring.



BY: Discount Car Stereo.com www.discountcarstereo.com
© 1995-04 Discount Car Stereo, Inc. All rights reserved. Information in this document is subject to change without notice. Other products and companies referred to herein are trademarks or registered trademarks of their respective companies or mark holders